

A. CONSTRUCTION: (By Railroad)

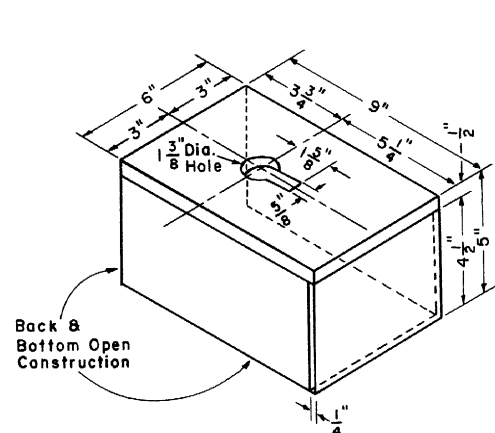
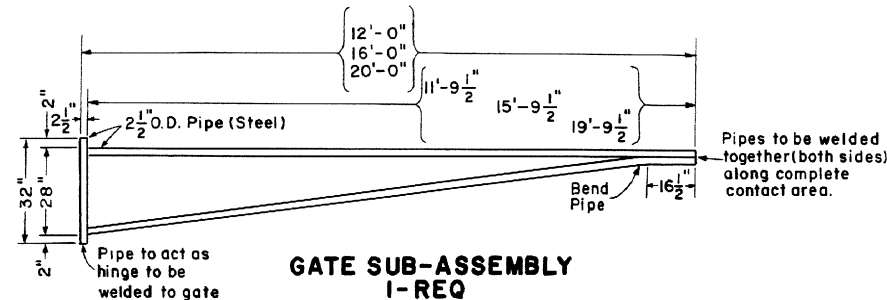
1. Gate posts and barrier rails to be furnished locally from scrap rail with 6" rail base.
2. The lock post is to be erected nearest to the track and not less than 12'-0" from center line of track.
3. Hinge plates, upper lock plate, lower lock plate lock shroud to be welded to rail base.
4. Weld upper hinge plate to gate post after installation of gate in lower hinge plate.
5. Adjacent faces of upper and lower lock plate to be 6" apart.
6. Lower hinge plate to be not more than 6" above ground level.
7. 12" length of heavy duty chain to be used to secure lock bolt to lock shroud.
8. Concrete footers may be used where soil conditions required.
9. Additional barrier, if required, to extend to nearest natural or man-made obstructions. Barrier to be not more than 2'-6" above ground level.
10. Barrier rail to be welded to gate posts.
11. Barrier-brace rail attached to lock post to be not less than 3' below ground level at toe of ballast section.
12. Flanger sign per CR 78460 to be attached to lock post. Weld sign post to lock post.
13. Paint all parts except gate itself aluminum.
14. No Trespassing Signs should be obtained from Conrail Police Department to define Local or State Statutes.

ACCOUNT & REFERENCE NUMBERS

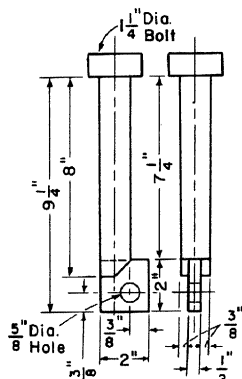
- 36-409009 - 12 FT GATE
- 36-409025 - 16 FT GATE
- 36-409041 - 20 FT GATE

B. FABRICATION: (By Manufacturer)

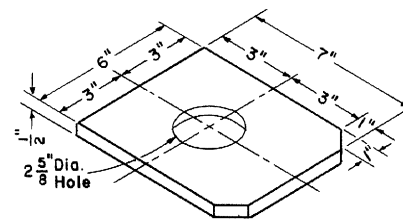
1. Gate sub-assembly to be 2 1/2" O.D. galvanized steel pipe.
2. Upper and lower hinge plates, upper and lower lock plates & lock shroud assembly to be 1/2" Merchant Quality Steel plate.
3. Lock shroud to be 1/4" Merchant Quality Steel plate. All weldments to be made on the interior of the shroud.
4. Grind all corners or edges of each sub-assembly to remove burrs, sharp fins, etc.
5. Wrap both gate pipes from hinge to juncture on 8" centers with 8" squares of yellow reflectorized adhesive backed material, 3M Scotchlite 680-71. Clean pipe with solvent before application.



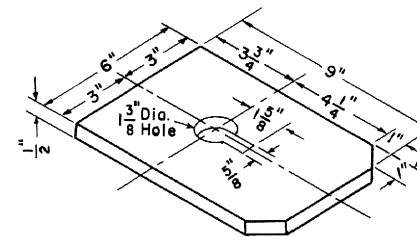
LOWER LOCK PLATE - LOCK SHROUD SUB-ASSEMBLY 1-REQ



LOCK BOLT 1-REQ



HINGE PLATE SUB-ASSEMBLY 2-REQ



UPPER LOCK PLATE SUB-ASSEMBLY 1-REQ



STANDARD

RIGHT-OF-WAY SECURITY GATE

April, 1986

J.R. Clark
Chief Engineer-Maintenance of Way

C.B. Gordon
Chief Engineering Officer