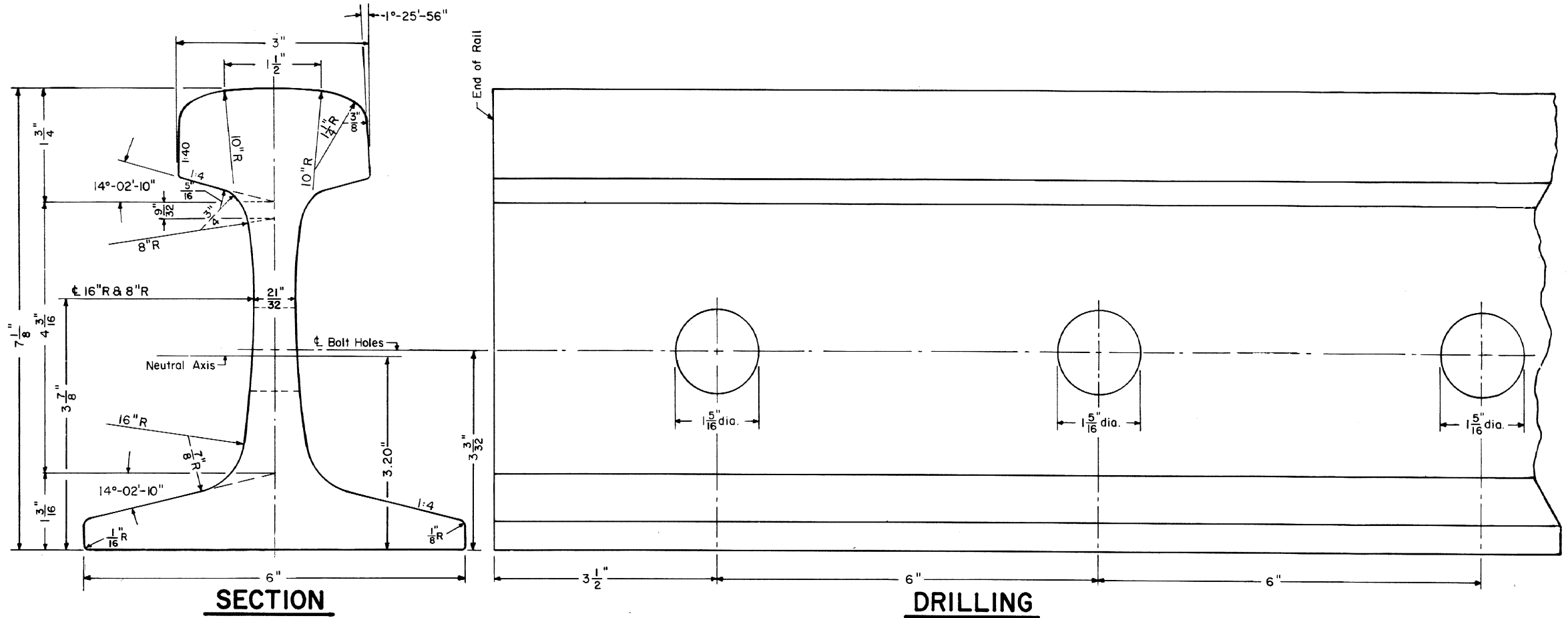


Revisions
 B - Aug., 1984
 C - May, 1987




MATHEMATICAL ATTRIBUTES

Area			Moment of inertia-----	88.2
Sq. In.			Section modulus, head-----	22.5
Head-----	4.42	34.1	Section modulus, base-----	27.6
Web-----	3.66	28.3	Ratio m.i. to area-----	6.81
Base-----	4.87	37.6	Ratio s.m. head to area-----	1.74
Total-----	12.95	100.0	Ratio height to base-----	1.19
			Calculated weight, lbs. per yard-----	132.1

All bolt holes in rail to be chamfered 1/16"

Rails shall conform to current Conrail MW 180 Specifications.

CONRAIL 71015-C



STANDARD
132 LB. R.E. RAIL
 FEBRUARY, 1978

R.H. Smith
Chief Engineer - Maintenance of Way
B.G. Conner
Chief Engineering Officer