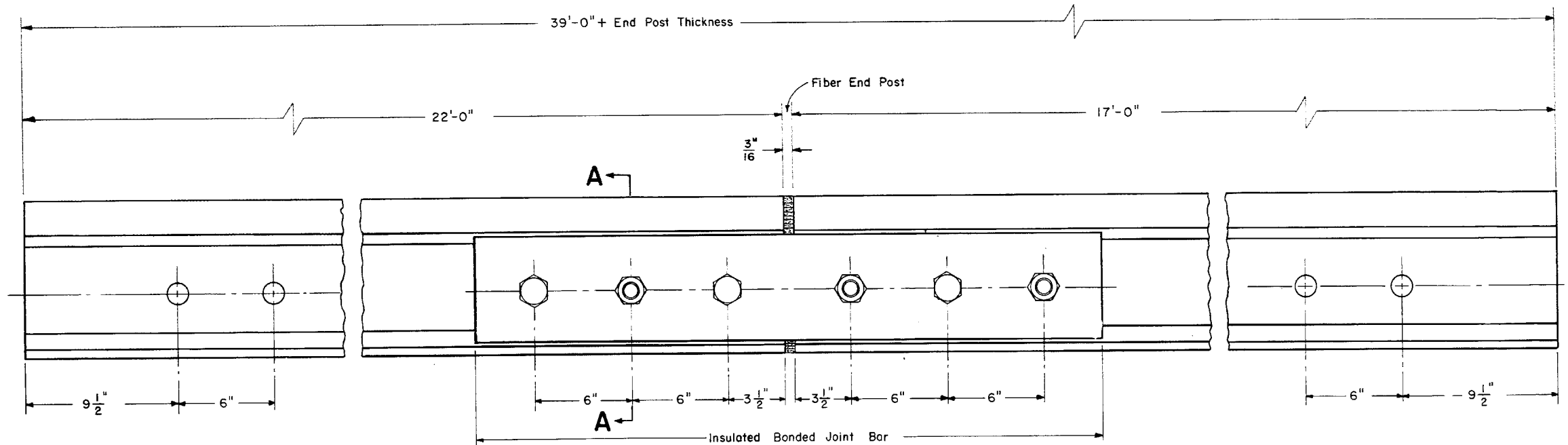
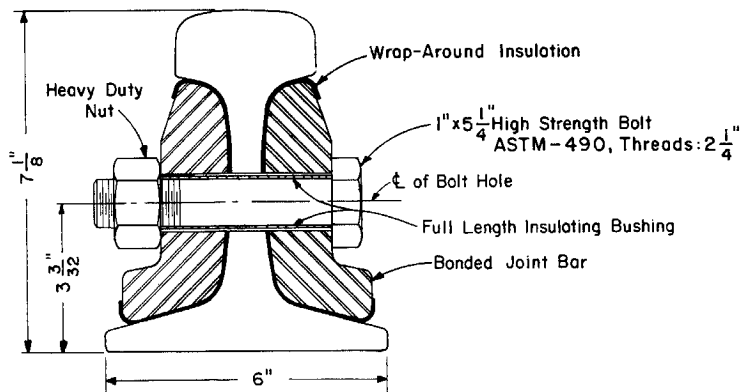


Revisions
 "A" - Mar., 1979
 "B" - Aug., 1979
 "C" - Sept., 1981

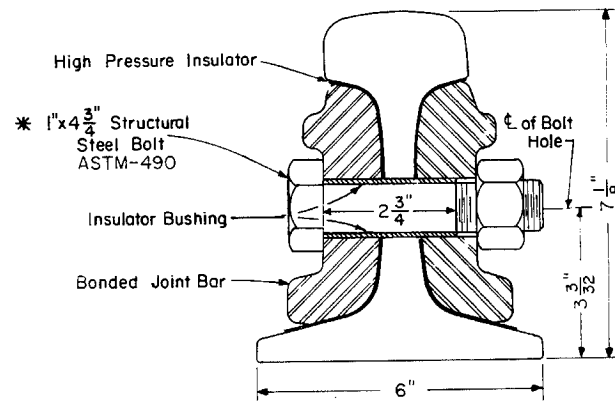


SIDE VIEW



PORTEC INC.

SECTION A-A



ALLEGHENY DROP FORGE CO.

NOTES

- 1- All rails to be "End Hardened."
- 2- All bolt holes, in the rail, shall be 1 5/16" dia.
- 3- Bolt heads to be installed in bar, in alternate positions.
- * 4- The Huck Fastener may be substituted for the structural steel bolt in the Allegheny Drop Forge joint.
- 5- When spiking joint, place head in reverse position.

CONRAIL **71370-D**

STANDARD

132 R.E. BONDED INSULATED JOINT

JANUARY, 1978

Chief Engineer - Maintenance of Way

Chief Engineering Officer