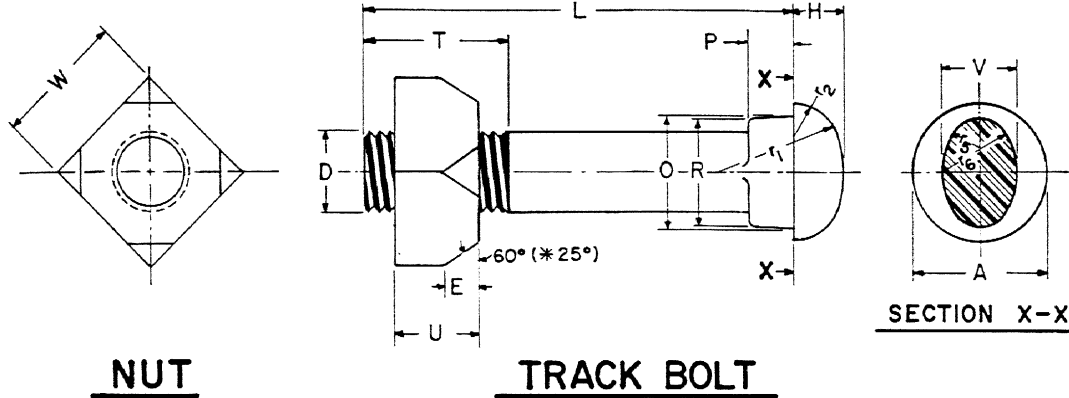


Revisions

- B - Oct., 1980
- C - Aug., 1984
- D - Sept., 1986
- E - Mar., 1989



**NUT DIMENSIONS**

NOMINAL DIAMETER	WIDTH ACROSS FLATS - W			THICKNESS - U			CHAMFER E
	NOMINAL	MAXIMUM	MINIMUM	NOMINAL	MAXIMUM	MINIMUM	
* 7/8	1 7/16	1.4375	1.394	7/8	0.901	0.833	1/4
1	1 5/8	1.6250	1.575	1	1.028	0.956	3/8
1 1/8	1 13/16	1.8125	1.756	1 1/8	1.155	1.079	1/2

**TRACK BOLTS-ELLIPTICAL NECK**

NOMINAL DIA. OVER THREAD D	HEAD DIMENSIONS				ELLIPTICAL NECK DIMENSIONS						LENGTH UNDER HEAD L	MINIMUM THREAD LENGTH T	THREADS PER INCH
	A	H	r1	r2	O	R	P	r5	r6	V Approx.			
7/8	35/64	35/64	25/64	33/64	3/16	5/32	1/2	5/16	51/64	13/16	4 1/2 or 5	2	9
1	1 11/16	5/8	5/8	19/32	3/8	1 11/32	9/16	3/8	15/16	15/16	5, 5 1/2 or 6	2 1/4	8
1 1/8	57/64	45/64	55/64	43/64	1/2	1 15/32	5/8	7/16	1	1 1/16	5 3/4 or 6 1/4	2 1/2	7

**BOLTS-ACCOUNT & REFERENCE NUMBERS**

BOLT SIZE	ACCOUNT AND REFERENCE NUMBERS
7/8 x 4 1/2	01-226313
7/8 x 5	01-226347
1 x 5	01-227782
1 x 5 1/2	01-229101
1 x 6	01-227790
1 1/8 x 5 3/4	01-231537
1 1/8 x 6 1/4	01-227840

All dimensions are given in inches.

**HELICAL SPRING WASHERS**

BOLT DIAMETER OVER THREADS	SPRING WASHERS				ACCOUNT & REFERENCE NUMBERS
	INSIDE DIAMETER	OUTSIDE DIAMETER	STOCK SIZES-COILED		
			RADIAL THICKNESS	THICKNESS ALONG BOLT	
7/8	15/16	1 13/16	7/16	1/4	01-874500
1	1 1/16	1 15/16	7/16	1/4	01-875200
1 1/8	1 3/16	2 1/16	7/16	1/4	01-875903

**NOTES**

- 1- Bolts and nuts shall conform to current Conrail MW 184 Specs.
- 2- All threads to be rolled threads.
- 3- All nuts to have a free fit.
- 4- All bolts, nuts and spring washers to be thoroughly coated with a metal preservative, approved by the Chief Engineer-M.W.
- 5- In ordering bolts specify the nominal diameter "D" and the correct account and reference number.
- 6- For complete list of bolt applications per rail sections see C.R. Plan 692024-(1,7) sheets, under "Prescribed Bolt Size" column.
- 7- Spring washers shall conform to current Conrail MW 186 Specs.

71500-E

STANDARD  
**TRACK BOLTS, NUTS  
AND SPRING WASHERS**

AUGUST, 1979

Chief Engineer - Maintenance of Way

Chief Engineering Officer