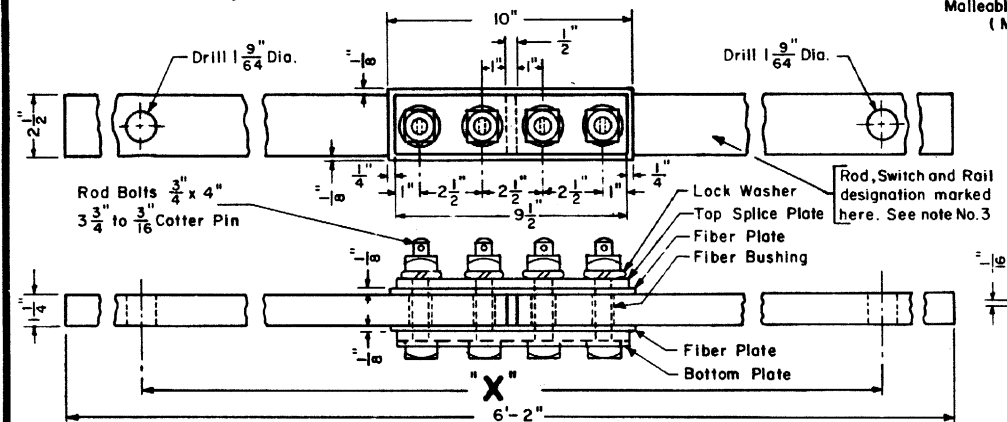


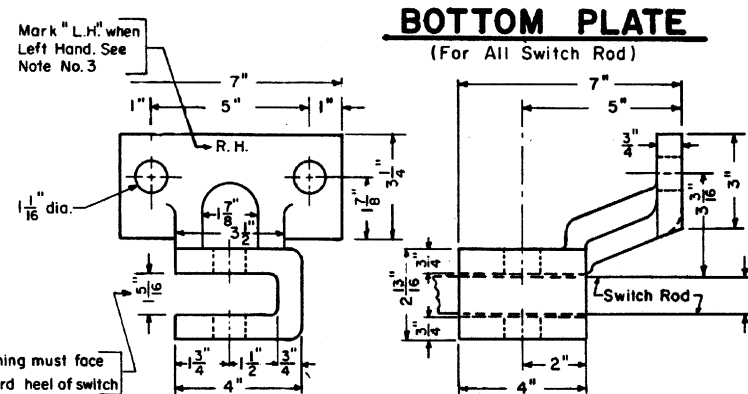
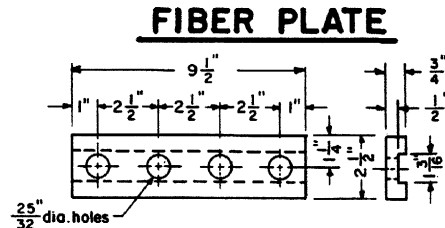
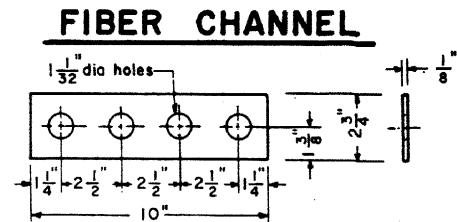
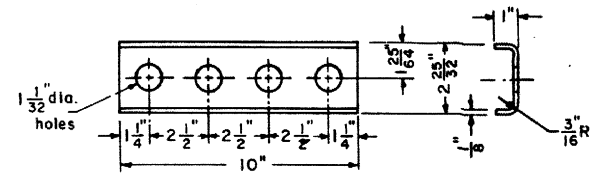
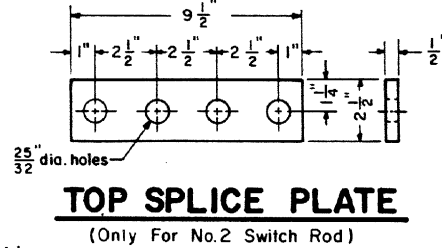
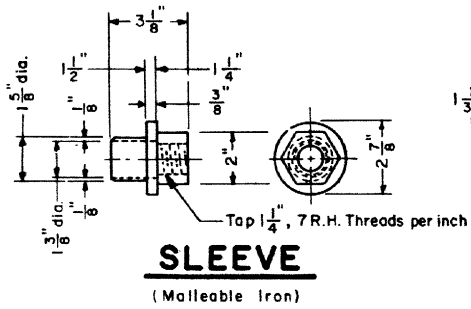
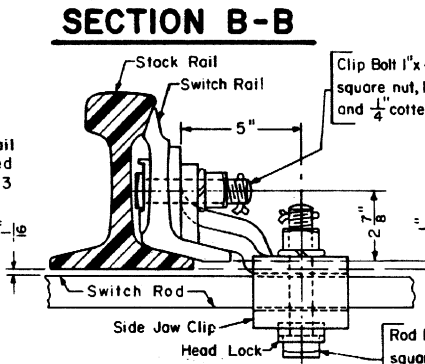
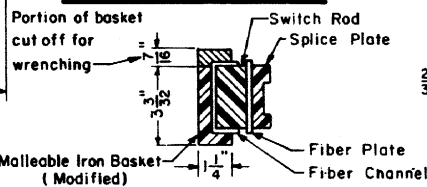
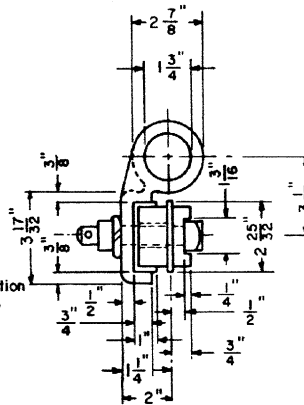
NO. 1 INSULATED SWITCH ROD



NO. 2 INSULATED SWITCH ROD

ROD DRILLINGS

SWITCH LENGTH	" X " DISTANCE	
	No. 1 ROD	No. 2 ROD
11'-0"	3'-4 29/32"	3'-5 9/16"
13'-0"	3'-4 7/16"	3'-5 1/32"
16'-6"	3'-4"	3'-4 11/16"



NOTES

- All switch rods and side jaw clips shall conform to current A.R.E.A. Specifications.
- All fiber parts shall conform to current A.R. Signal Section Manual, Part 58 Specifications 13- Hard Fiber.
- Switch rods and side jaw clips shall be stamped with deeply cut characters 1/2" high. Rod to show rod number, switch number and rail section. The clip to show R.H. or L.H. which ever applies and 119 lb. rail.
- The opening of the side jaw clips must face toward the heel of the switch.

CONRAIL **73521-A**

STANDARD

**HORIZONTAL SWITCH RODS
AND ROD CLIPS**

FOR 11', 13' or 16'-6" UNDERCUT SWITCHES-119 R.E. RAIL

MARCH, 1979

Chief Engineer - Maintenance of Way
 Chief Engineering Officer