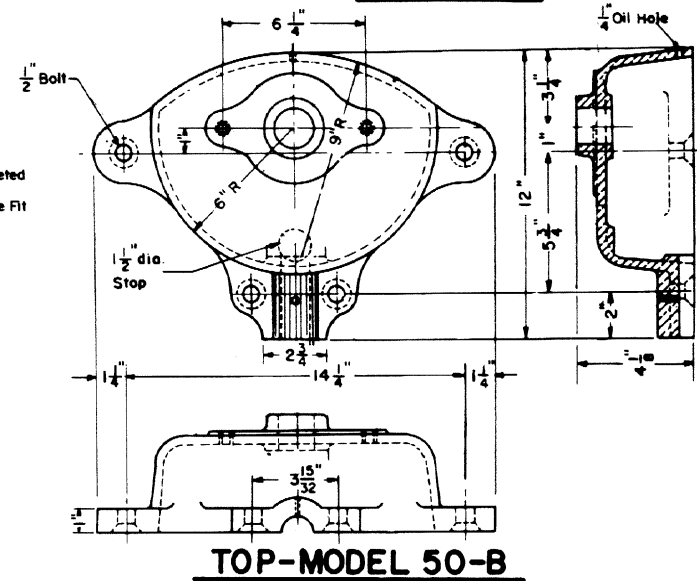
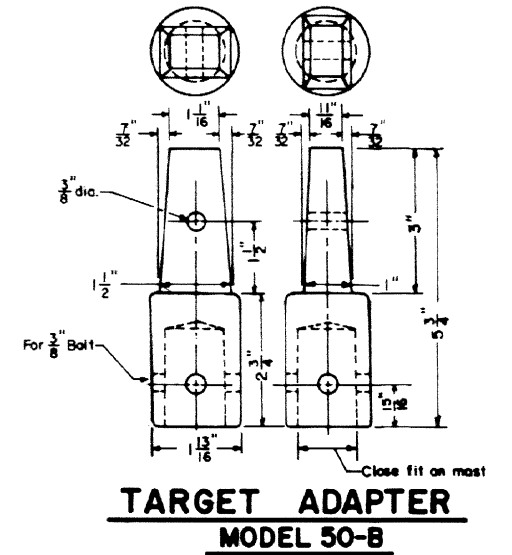
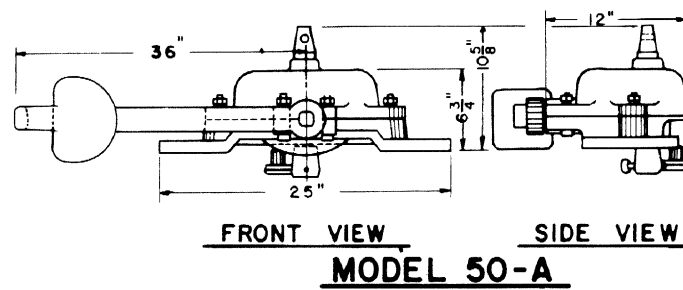
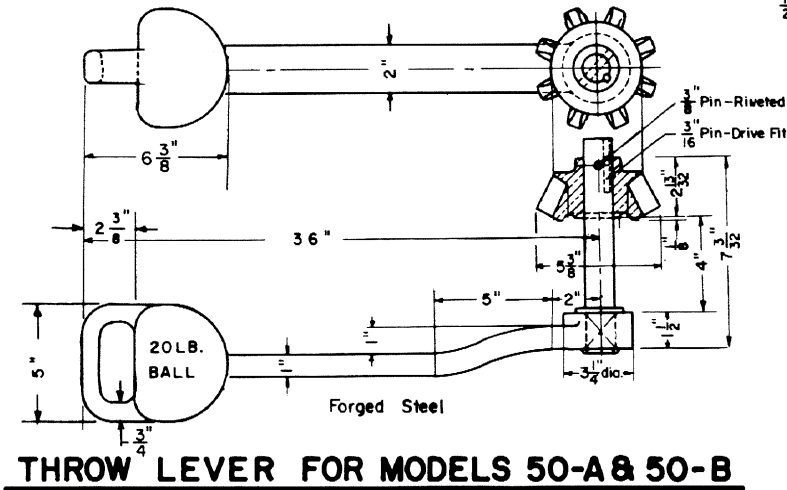
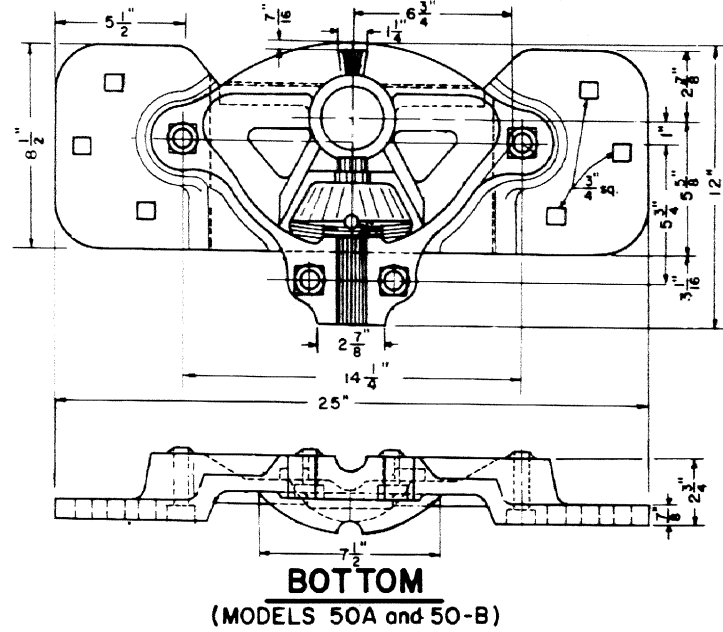
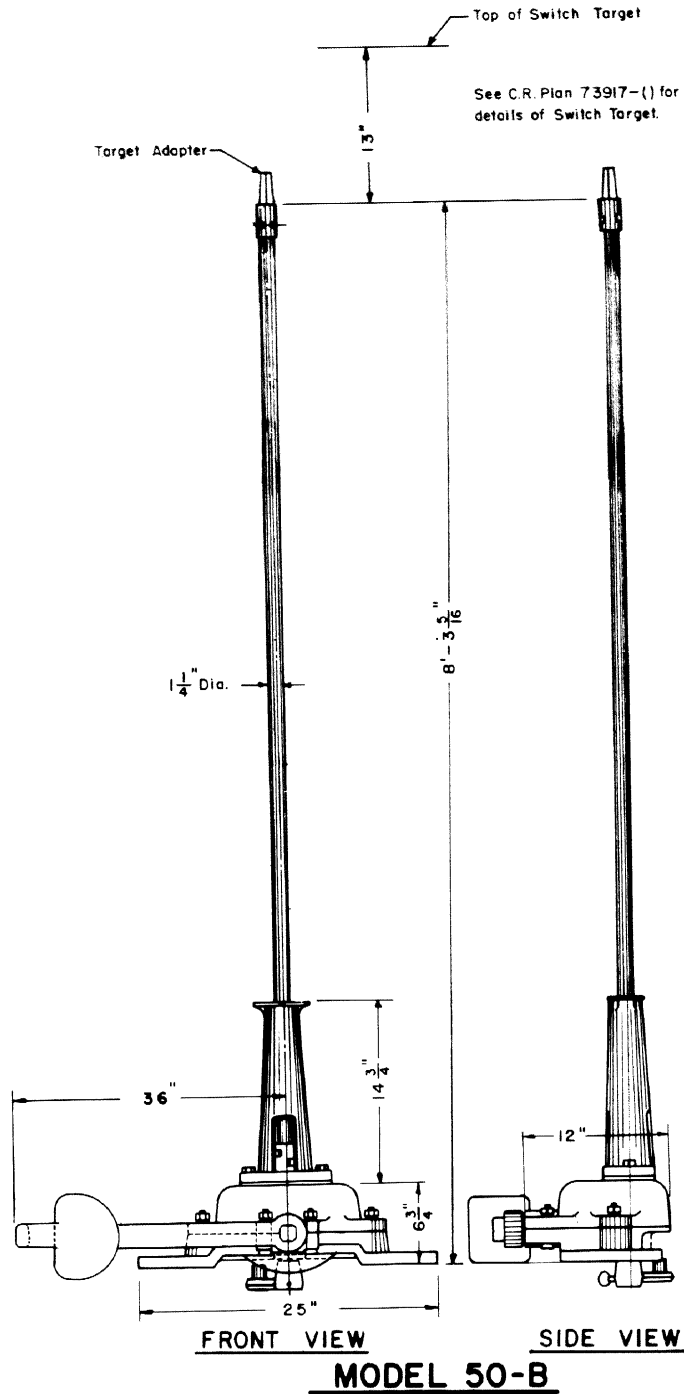



Revisions

- B - Mar., 1980
- C - Nov., 1989
- D - May, 1992
- E - Sept., 1994





CONRAIL

STANDARD

7390I-E

Sheet 2 of 2

NEW CENTURY SWITCH STAND

INTERMEDIATE - MODEL 50-B

AND

LOW - MODEL 50-A

JULY, 1979

RHS Smith

Chief Engineer - Maintenance of Way

W. G. Gordon

Chief Engineering Officer