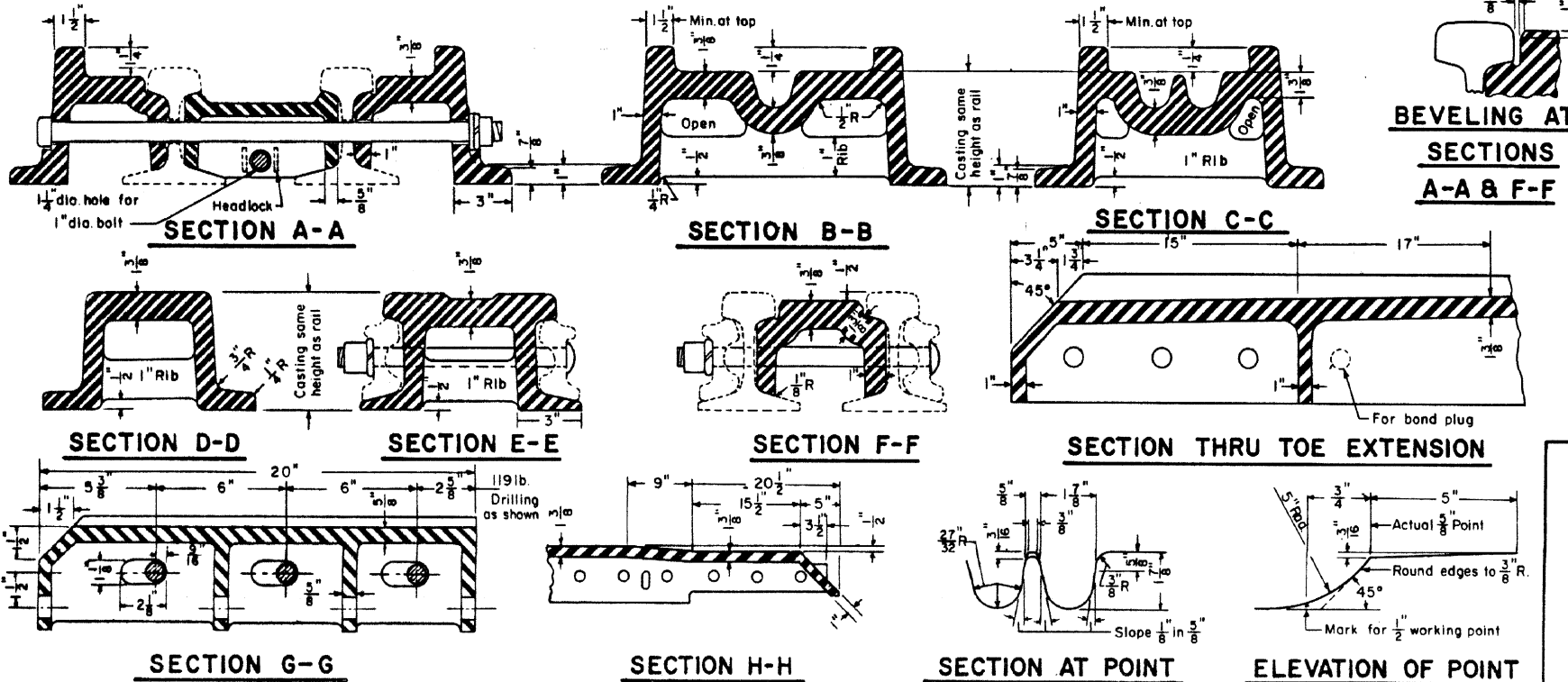


FROG TIE PLATES REQUIRED

- 2 - FT 20 Mod
- 2 - FT 23 Mod.
- 3 - FT 27
- 2 - FTH 23
- 4 - FTH 27
- 2 - FTH 27 Mod.
- 1 - FTH 35
- 2 - FTR 29
- 2 - FTR 33



- NOTES**
- 1- This plan is for use with A.R.E.A. recommended standards for 119RE., 132RE. or 140RE. rail.
 - 2- Workmanship and materials shall be as per current "A.R.E.A. Specifications."
 - 3- Bond plugs to be provided by the manufacturer.
 - 4- All bolts shall be dipped immediately before applying (so that all the threads are thoroughly coated) in NO-OX-ID "GG" Grease manufactured by The Dearborn Chemical Company.
 - 5- All frog tie plates as per CR Plan 72105-(-).

74151-B

CONRAIL

STANDARD

NO. 6 SOLID SELF-GUARDED MANGANESE STEEL FROG

119 RE., 132 RE and 140 RE RAIL

JANUARY, 1977

Chief Engineer - Maintenance of Way

Chief Engineering Officer