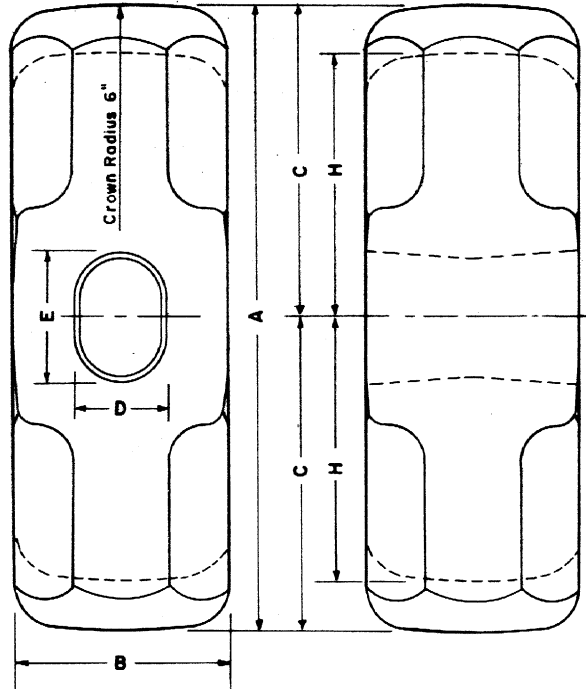


SPIKE MAUL

AREA PLAN 3-80
APPROX. WEIGHT 10LBS.



**SCHEDULE OF DIMENSIONS
IN INCHES**

APPROX WEIGHT	A	B	C	D	E	H
6LB	6	2 1/8	3	1	1 3/8	2 3/4
8LB	6 1/2	2 1/4	3 1/4	1	1 3/8	2 3/4
10LB	7	2 1/2	3 1/2	1	1 3/8	3
12 LB	7 1/2	2 5/8	3 3/4	1	1 3/8	3 1/4

DOUBLE FACE SLEDGE

AREA PLAN 13-80

NOTES

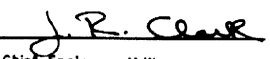
- 1- Dashed lines indicate outline (minimum) of tools as reclaimed.
- 2-Contour of struck face to be as shown on Conrail Plan 77402-().
- 3-Tools shown to be AREA Grade B Alloy Steel.
- 4-Handles (when furnished) to be 36" HA.
- 5-Hardness to be 496-560 Brinell.

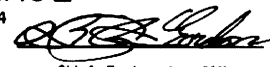
CONRAIL 77401-A

STANDARD

**DOUBLE FACE SLEDGE
& SPIKE MAUL**

JUNE, 1984


 Chief Engineer--M.W.


 Chief Engineering Officer