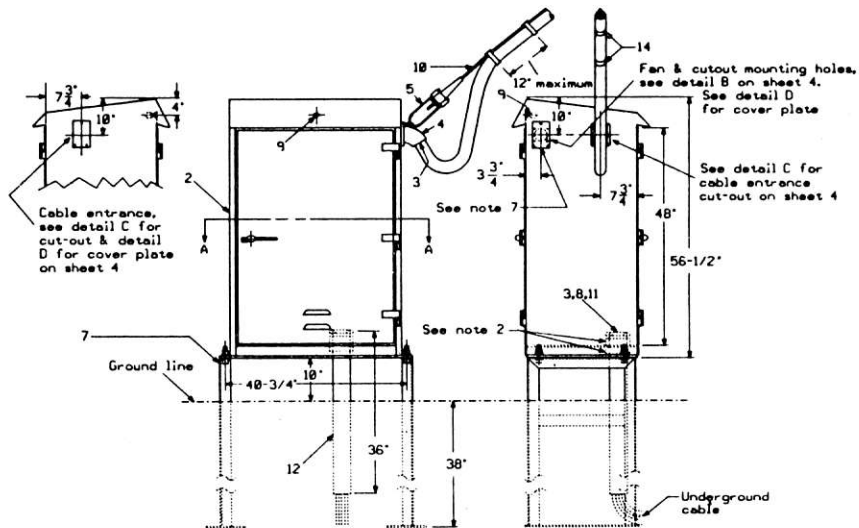
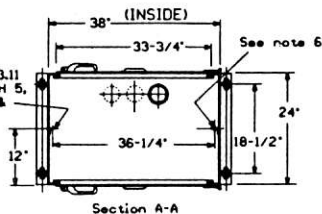


See specification 3.11 shown on CS-2001 SH 5, and shelf support & relay bar arrangement shown on CS-2001 SH 4



ITEM	NAME	REQ	REF	ACCT NO
1	Bracket, shelf		2001-2	02-694832
2	Case, low single	1		02-108304
3	Compound, Sealing			47-167228
4	Coupling, compl. 3-1/8" x 3-1/4"			02-165080
5	Deadend, for 3/8" Mgr.	1		02-859005
6	Fan, ventilating			02-762191
7	Pier, instrument case	2	2506-1	02-322004
8	Bushing, 4"	1		49-146119
9	Light with receptacle	1		
10	Messenger 3/8" copperweld			02-858003
11	Nut, lock, 4"	2		49-485301
12	Pipe, 4" Gal. steel, 36"	1		
13	Relay bar assembly		2001-1	02-678611
14	Straps, cabling			02-556189
15	Switch, thermal			02-573127

NOTES:

- See CS-2001 SH 5 for specifications.
- One 4" diameter lock nut, item 11, to be mounted above floor and one below floor on pipe, item 12, to secure pipe to the floor of case as shown.
- All cable openings to be sealed. Item 3
- Aerial cable entrance will have messenger from source secured to thimbleye with Strandvice or preformed deadends.
- Aerial cable shall be secured to messenger with hook-less straps or spinning wire.
- See case details drawing CS-2001 SH 4 for details of relay mounting bars, and shelf supports.
- When fan, item 6 is required, order coupling item 4, and switch item 15. Field forces to provide screen for fan opening.

SHEET 3
CONT ON SH 4

CONRAIL CS-2001

STANDARD
STEEL CASE
LOW SINGLE

ISSUE DATE: NOV. 6, 1966

REV.

23

REV	DATE	BY