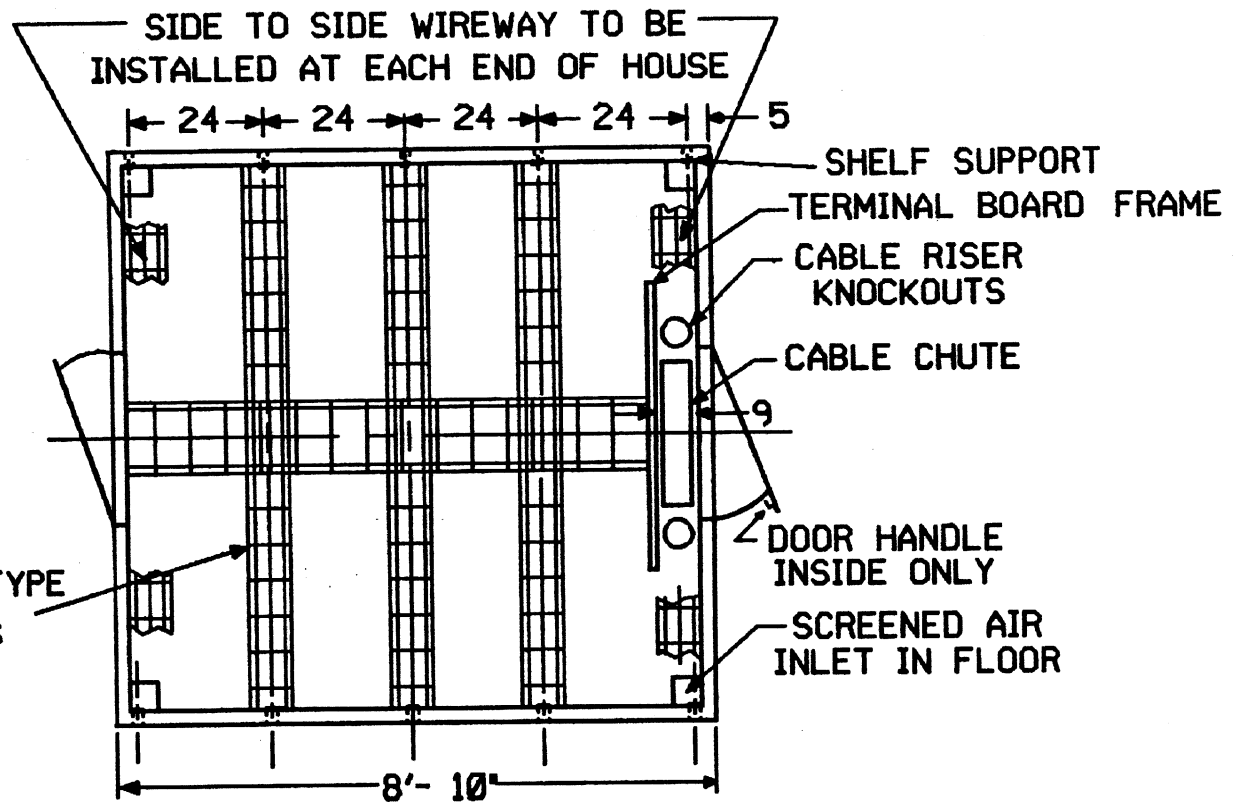


FRONT VIEW



PLAN VIEW

FRONT TO BACK WIREWAY TO BE MOVABLE FROM SIDE TO SIDE

- NOTES:
1. ORDERING REFERENCE FOR HOUSE IS 02-247664.
 2. SEE SH 11 FOR CONSTRUCTION DETAILS AND SH 12 FOR SPECIFICATIONS.

SHEET 2
CONT'D ON SH 3



STANDARD
RELAY HOUSE
8 X 8
MAR. 4, 1965