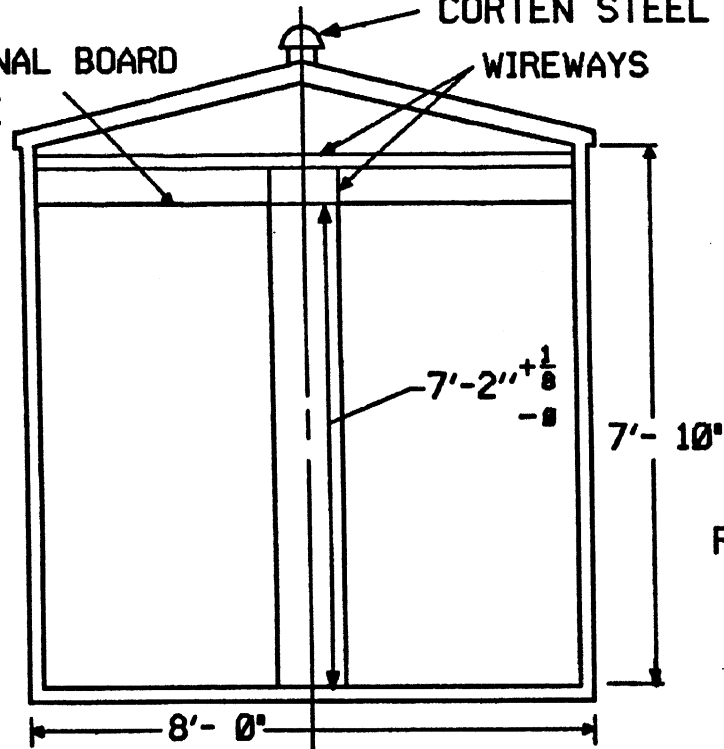


TERMINAL BOARD FRAME  
 CORTEN STEEL  
 WIREWAYS



FRONT VIEW

PLAN VIEW LADDER TYPE WIREWAYS

SIDE TO SIDE WIREWAY TO BE INSTALLED AT EACH END OF HOUSE

FRONT TO BACK WIREWAY TO BE MOVABLE FROM SIDE TO SIDE

NOTES:

1. ORDERING REFERENCE FOR HOUSE IS 02-247813.
2. SEE SH 11 FOR CONSTRUCTION DETAILS AND SH 12 FOR SPECIFICATIONS.

REV	DATE	BY