

# TYPICAL DESIGNATION OF WIRES AND TAG INSCRIPTION

## LOCAL CIRCUITS

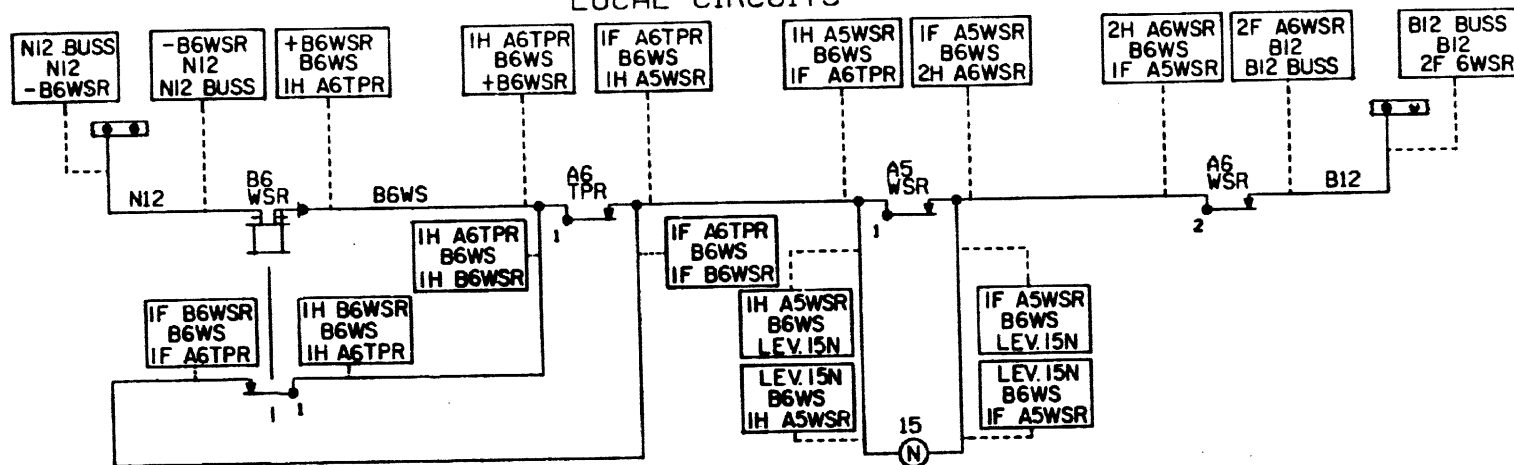


FIGURE 1

# TYPICAL DESIGNATION OF WIRES AND TAG INSCRIPTION

## LINE CIRCUITS

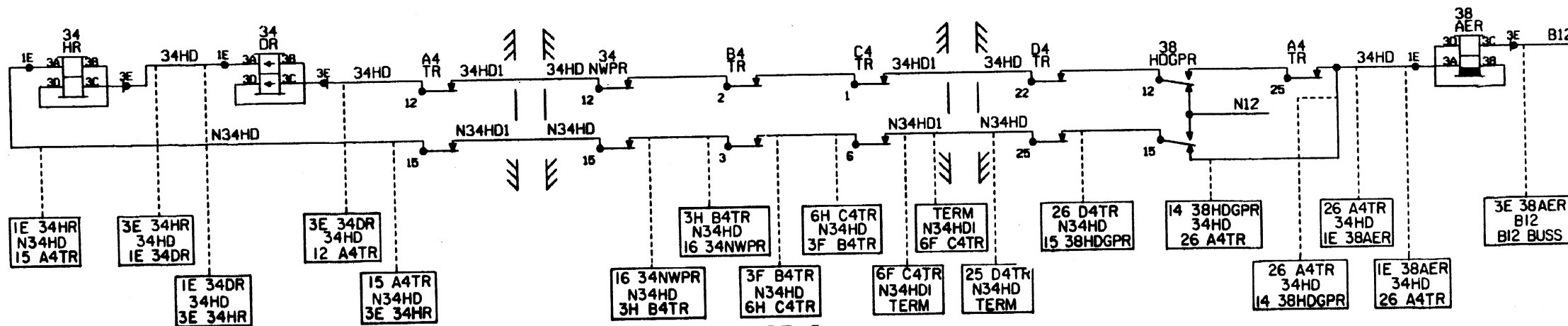
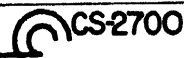


FIGURE 2

### NOTES:

1. ALL WIRES CONNECTED TO RELAYS, AAR TERMINALS, TRANSFORMERS, RECTIFIERS, CAPACITORS, INDUCTORS, FUSES, RESISTORS, ETC., SHALL BE TAGGED AS SHOWN IN FIGURES 1 AND 2.
2. FIRST AND THIRD LINE OF TAG SHALL SHOW TERMINAL NOMENCLATURE AND DEVICE NOMENCLATURE. SECOND LINE OF TAG SHALL SHOW CIRCUIT NOMENCLATURE.

SHEET 1  
CONT'D ON SH 2

CONRAIL  CS-2700

STANDARD

STANDARD TAGGING  
IDENTIFICATION OF WIRES

NOV. 22, 1982

Approved: 