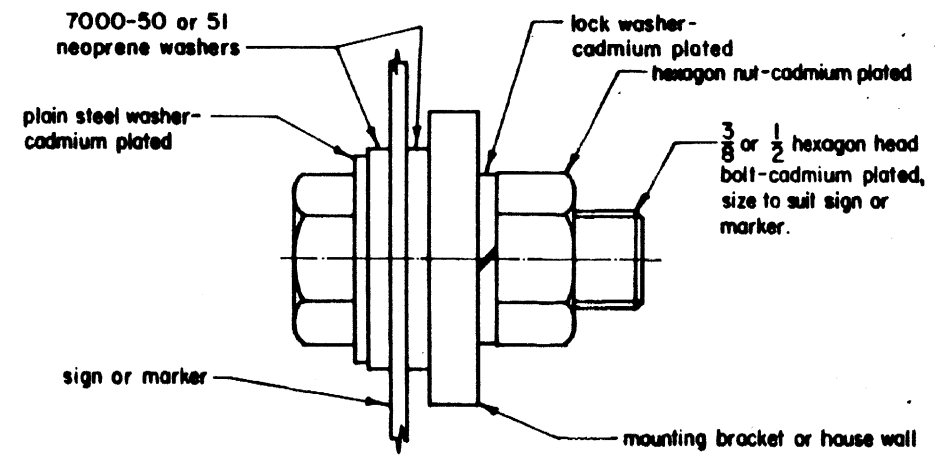


7000-50 NEOPRENE WASHER A= $\frac{13}{32}$ B= $\frac{7}{8}$ for $\frac{3}{8}$ bolt
 7000-51 NEOPRENE WASHER A= $\frac{17}{32}$ B= $1\frac{1}{8}$ for $\frac{1}{2}$ bolt

7000-15 CP LOCATION SIGN
 When ordering, specify name and CP number required. The letters "CP" will not appear on sign. If sign is being re-ordered, give distance between centers of $\frac{7}{16}$ " diameter mounting holes.



Typical method of mounting signs and markers faced with high intensity reflective material.

SEE NOTES ON SHEET 1

SHEET 9
 CONT'D ON SH 10

CONRAIL  **CS-7000-A**

STANDARD
SIGNS AND MARKERS
 SIGNS FOR CP LOCATIONS

MAY 18, 1981