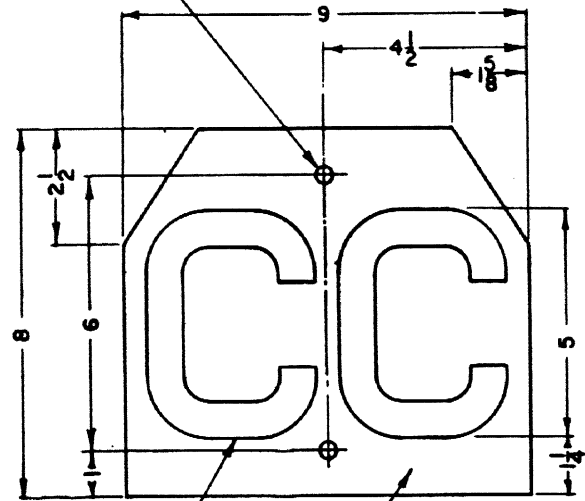


Rev. A, 11-4-85-added  
14" dimension to item  
7000-37.

$\frac{7}{16}$ " DRILL 2 HOLES

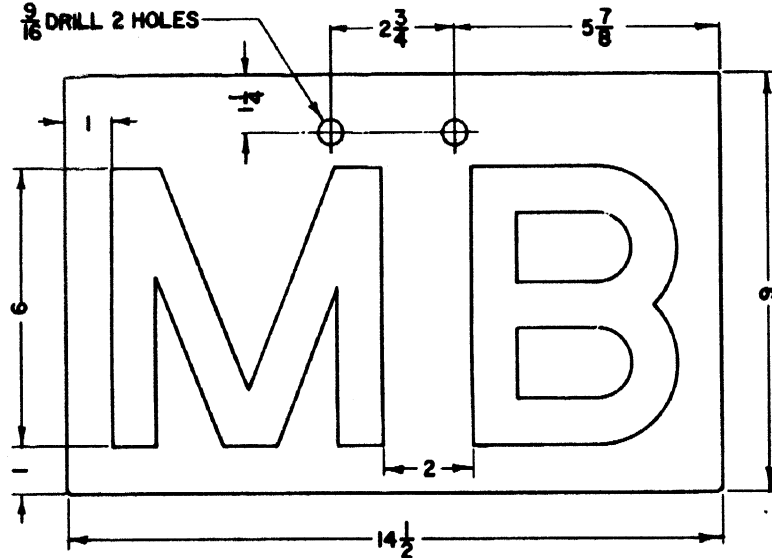


BLACK LETTER SILVER BACKGROUND

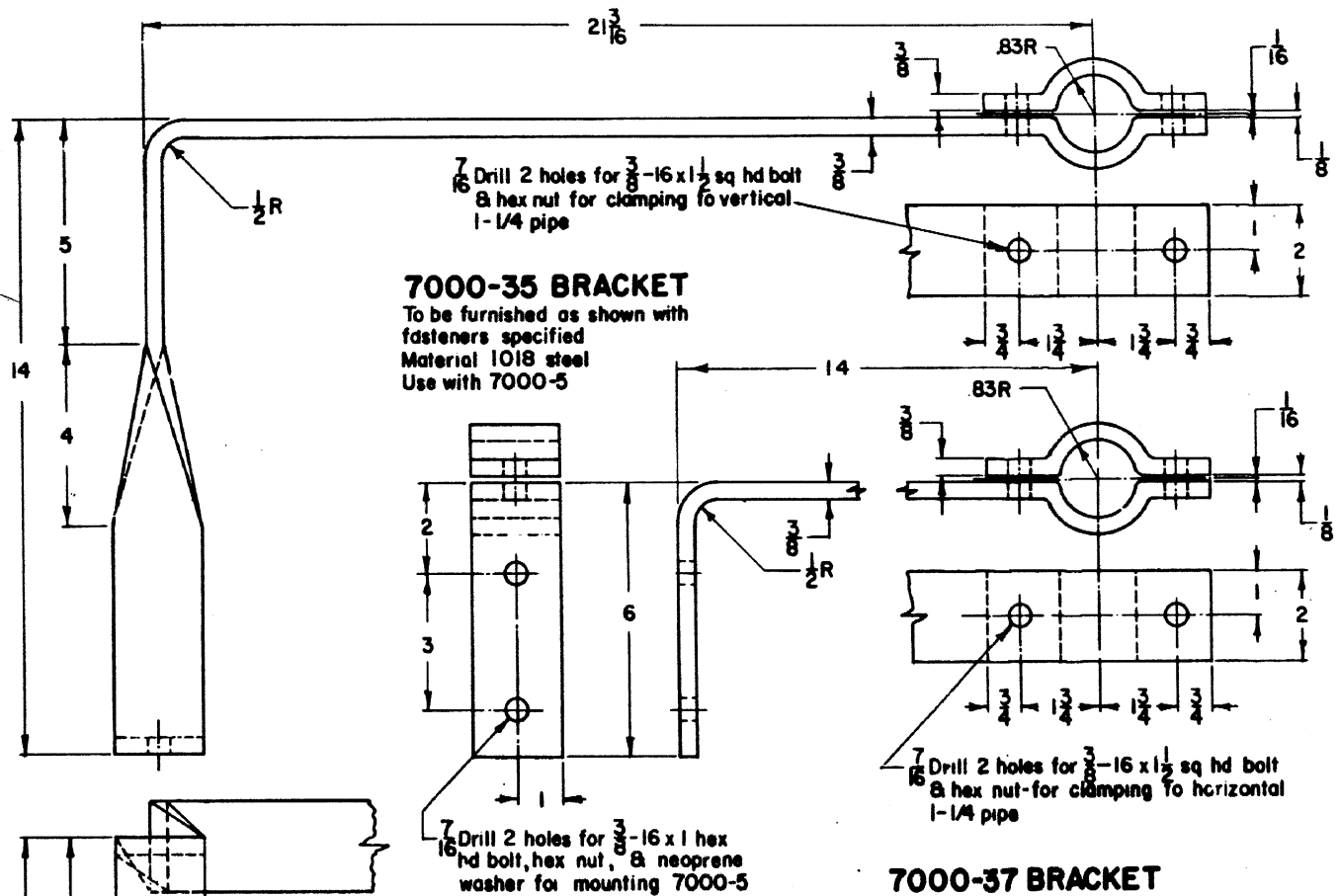
**7000-33 SIGN-END OF CIRCUIT**

See note 9 for use of this sign

$\frac{9}{16}$ " DRILL 2 HOLES



**7000-31 SIGN-MANUAL BLOCK**



**7000-35 BRACKET**

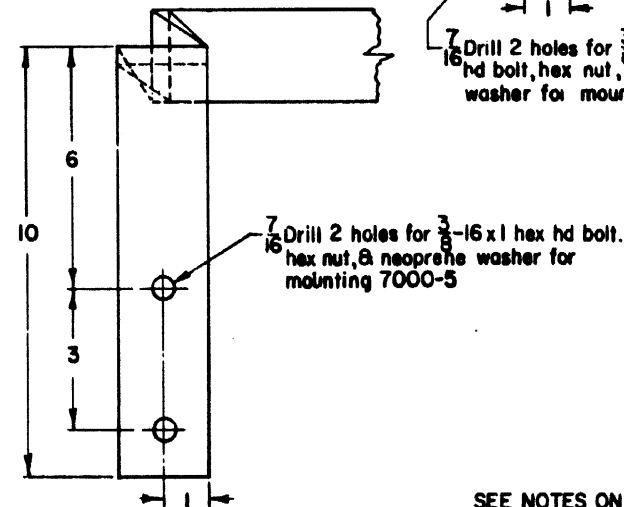
To be furnished as shown with fasteners specified  
Material 1018 steel  
Use with 7000-5

$\frac{7}{16}$ " Drill 2 holes for  $\frac{3}{8}$ -16 x 1 hex hd bolt, hex nut, & neoprene washer for mounting 7000-5

$\frac{7}{16}$ " Drill 2 holes for  $\frac{3}{8}$ -16 x 1 sq hd bolt & hex nut-for clamping to horizontal 1-1/4 pipe

**7000-37 BRACKET**

To be furnished complete as shown with fasteners specified  
Material 1018 steel  
Use with 7000-5



SEE NOTES ON SHEET 1

SHEET 6  
CONT'D ON SH 7

CONRAIL



CS-7000-A

STANDARD  
**SIGNS AND MARKERS**  
END OF CIRCUIT SIGN  
MANUAL BLOCK SIGN  
SPEED LIMIT MARKER BRACKETS  
OCT. 28, 1978

Revised 11-4-85