

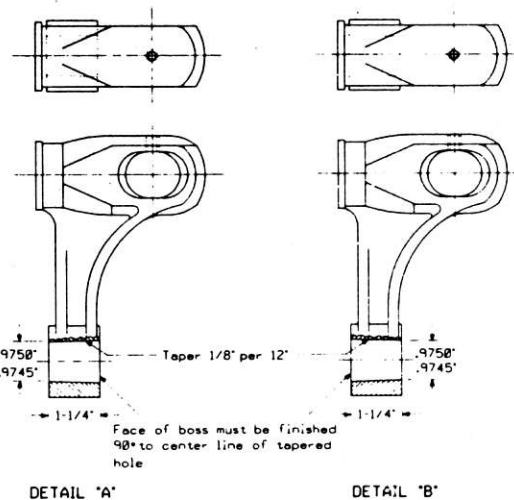
Rev. A-1-10-84 added
 one hole 82-458573
 Rev. B-12-14-86 added
 details A,B,C

ACCOUNT REFERENCE NUMBERS

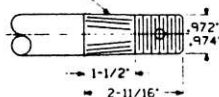
8005-1 02-450581
 * -2 02-450599
 * -3 02-450607
 * -4 02-450516
 * -5 02-450524
 * -6 02-450532
 * -7
 * -8 02-450557
 * -9 02-450565
 * -10 02-450623
 8005-11 02-450667
 * -12
 * -13
 * -14 02-450573
 * -15
 * -16
 * -17
 * -18
 * -19

8005-105

8005-115



Taper 1/8" per 12" on the Diameter



DETAIL "C"

SHEET 2
 CONT'D ON SH3

CONRAIL CS-8005-B

STANDARD
SWITCH RODS
 POINT DETECTOR ROD PARTS USED ON GR5
 SWITCH MACHINES WITH POINT SOCKET
 & ROD TAPER DETAILS

ISSUE DATE: AUG. 6, 1976

REV. Dec. 14, 1986

101

REV	DATE	BY