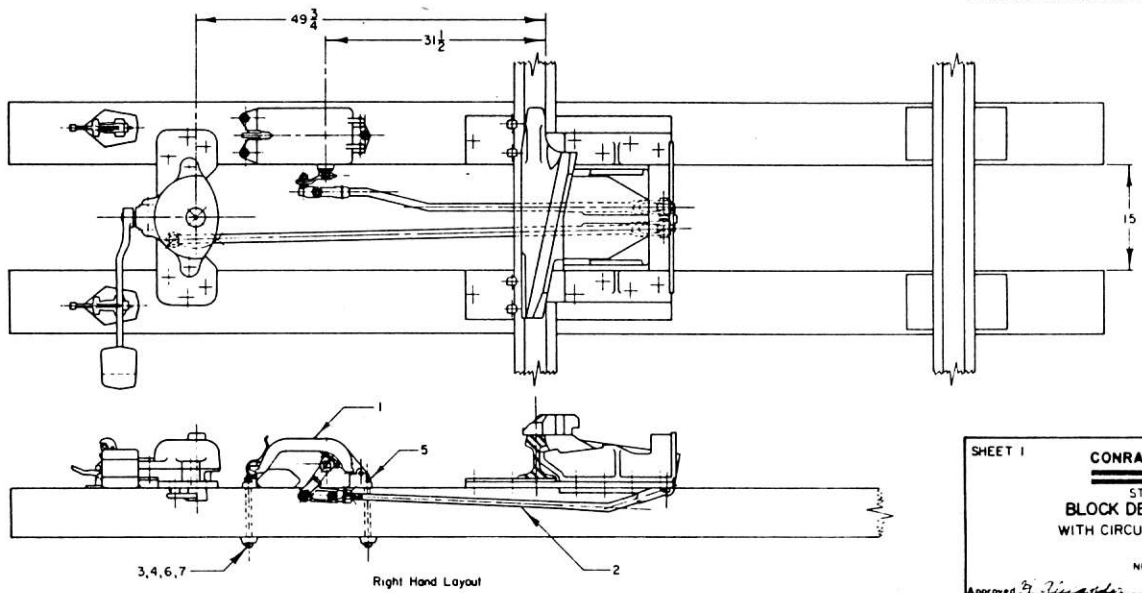


NO	ITEM	REQ	REF	ACCT NO
1	CIRCUIT CONTROLLER	1		
2	CIRCUIT CONTROLLER ROD	1	8005-10	02-450623
3	NUT, SQ 3/4-10NC	3		19-514601
4	BOLT, STUD 3/4-10NCX10 LG	3		COMM STD
5	NUT, HEX 3/4 - 10NC	3		19-443603
6	WASHER, LOCK - 3/4 MEDIUM	6		19-791209
7	WASHER, CAST IRON	3	82161	02-611257

NOTES

- 1 Material not shown to be ordered by Maintenance of Way Department
- 2 See MOW Standard Plan 73920 for additional details



105

SHEET 1

CONRAIL CS-8012-A

STANDARD
BLOCK DERAIL LAYOUT
 WITH CIRCUIT CONTROLLER

NOV. 4, 1982

Approved: *[Signature]*
 Chief Engineer, C&S