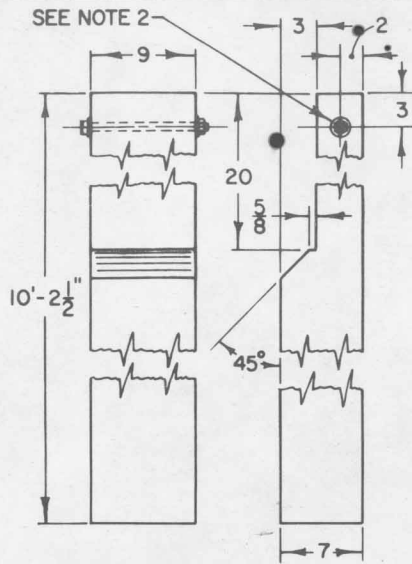
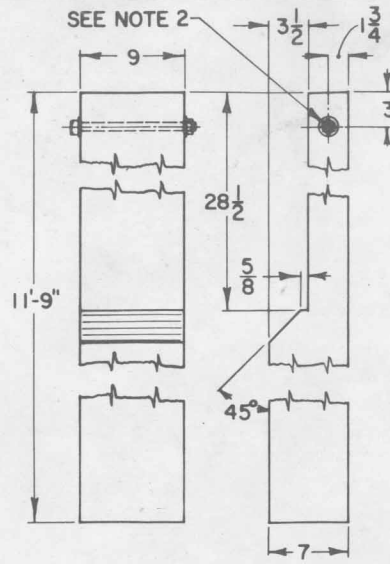


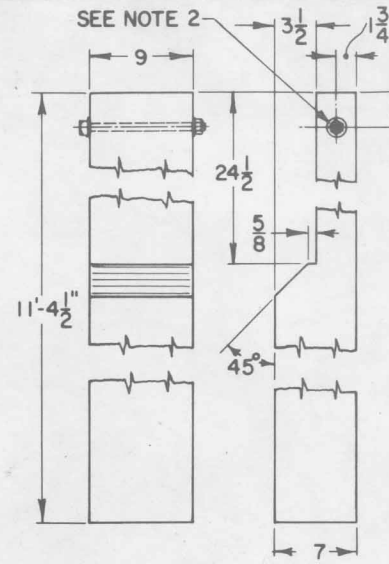
Rev. A-5-26-82: added
 81951 & 81952 switch
 ties.
 Rev. B-10-15-82: added
 81957 switch tie, &
 changed acct. ref. no. for
 81955.
 Rev. C-1-12-88: added
 81959 switch tie.



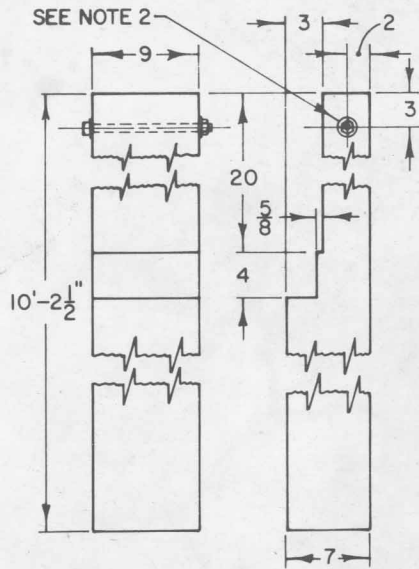
SWITCH TIE 81951



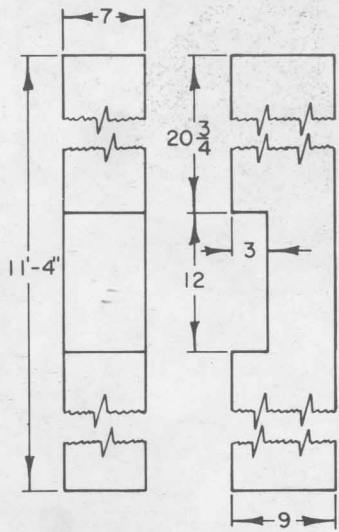
SWITCH TIE 819512



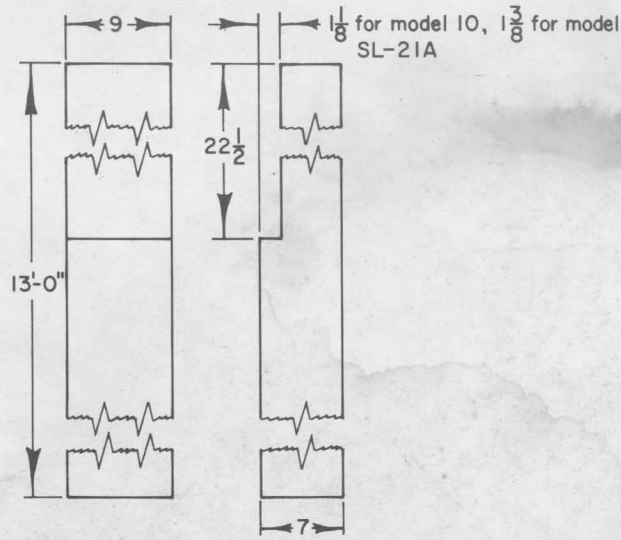
SWITCH TIE 81955



SWITCH TIE 81952



SWITCH TIE 81957



SWITCH TIE 81959

TIE NO.	USE WITH	REQ	SWITCH LAYOUT NO.	ACCOUNT REFERENCE NO.
81951	US&S A-5 switch mach.	4	CS-8210	05-080500
81952	US&S A-5 switch mach.	1	CS-8210	
81955	US&S M-2 & M-3 switch mach.	2		05-088503
81957	US&S T-20 switch mach.	1	CS-8224	05-063522
81959	See note 4	1	CS-8046	05-065600
819512	US&S M-23B switch machine	2	CS-8200	05-063654

NOTES:

1. Ties shown on this plan shall conform to current specifications of the Maintenance of Way Department for switch ties. In addition those specifications, ties are to be framed, and the bolt hole drilled before creosote treatment is performed.
2. Fit a galvanized 5/8-11 X 10-1/2 sq. hd. bolt, hex nut, and two plain washers as shown, and tighten nut. Bolt to be fitted immediately after creosoting.
3. For location and spacing of ties, see applicable switch layout. Unless otherwise specified, ties are for right or left hand switches.
4. Use with GRS model 10 and US&S model SL-21A electric switch locks.

SHEET 1

CONRAIL  **CS-8195-C**
 STANDARD SWITCH TIES

APR. 10, 1980

Approved: 
 Chief Engineer

Revised Jan. 12, 1988