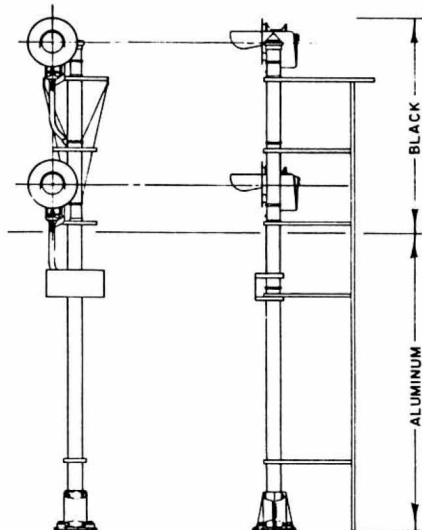
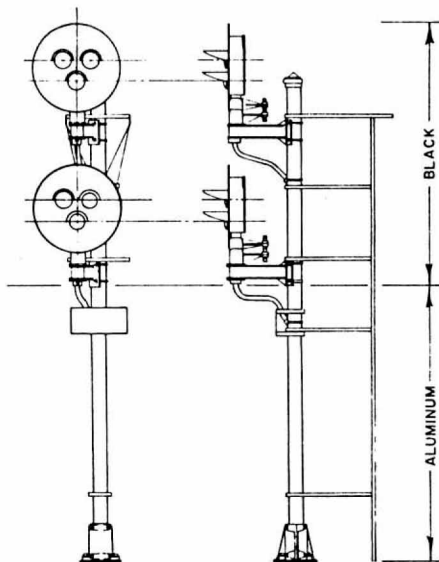


NOTES:

1. Black nonreflecting point, Account Reference 47-299203.
2. Aluminum paint- 1 gallon container, Account Reference 47-633203.
3. Aluminum paint- 5 gallon container, Account Reference 47-633609.

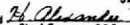


142

SHEET 1  
 CONT'D ON SH 2

**CONRAIL**  **CS-9505-A**

STANDARD  
**SIGNAL PAINTING**  
 COLOR LIGHT TYPE

JAN 7, 1982  
 Approved   
 Chief Engineer CBS

Rev. Aug. 11, 1987